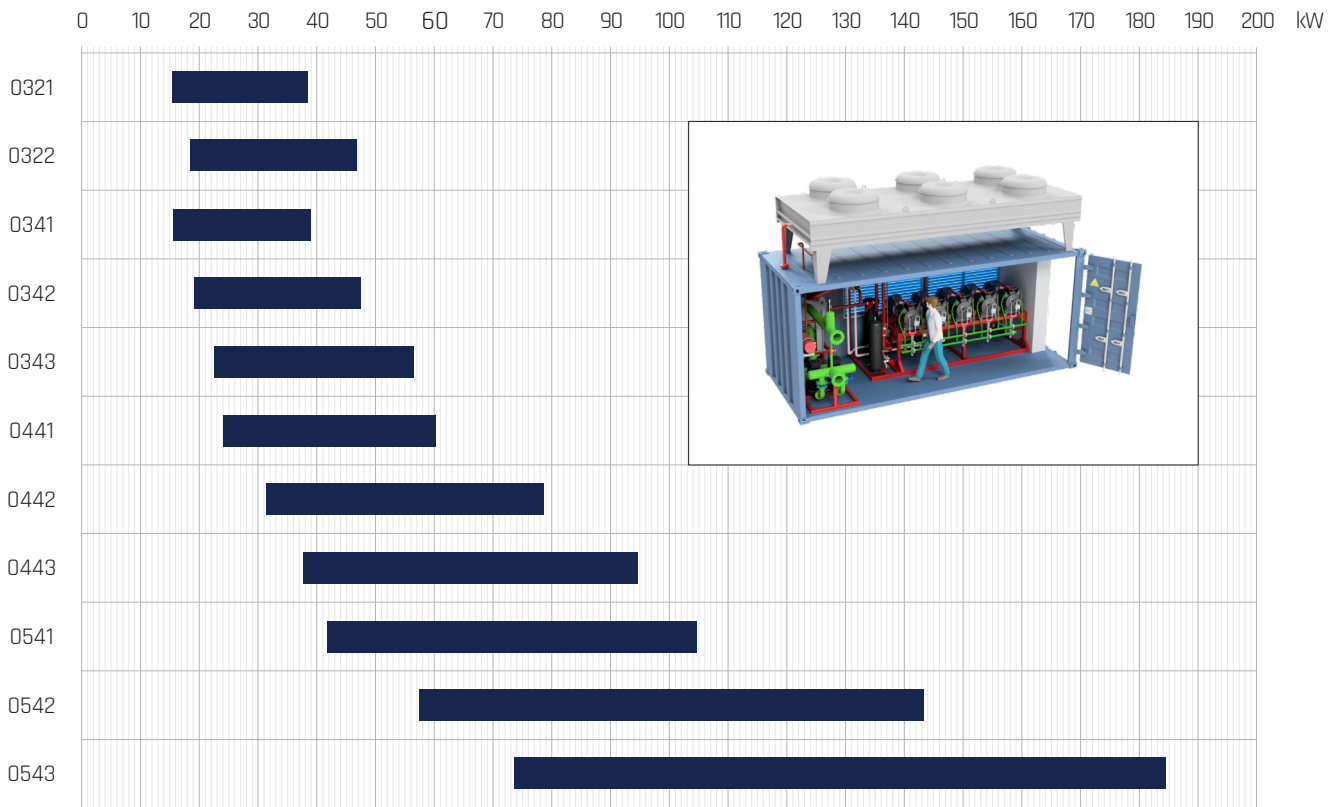
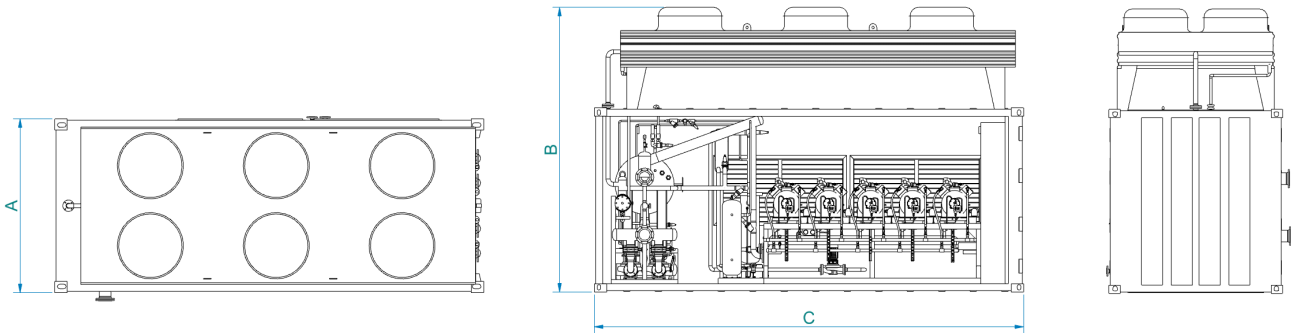


Performance Comparison for Twineco® R717 Container Chillers



■ -12 / -7 °C glycol



Twineco® R717 Container Chillers

Container	External dimensions (mm)			Load capacity (kg)
	Width A	Height B	Length C	
1D	2 438	2 438	3 050	10 160
1CC	2 438	2 591	6 100	24 000
1AAA	2 438	2 896	12 200	30 480