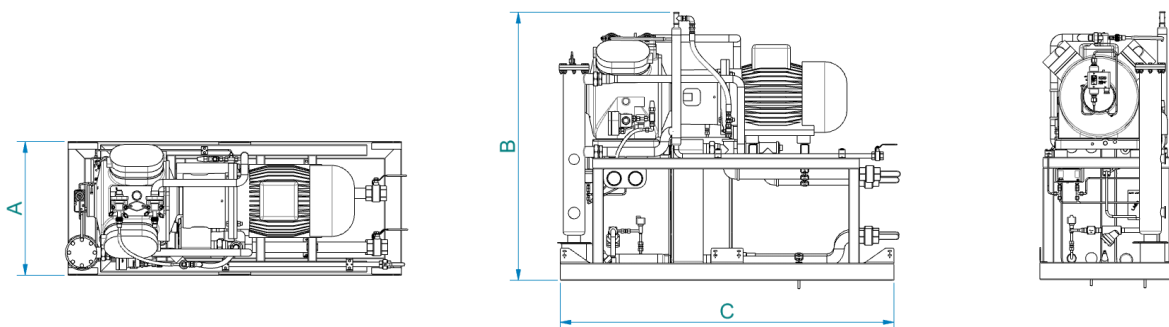
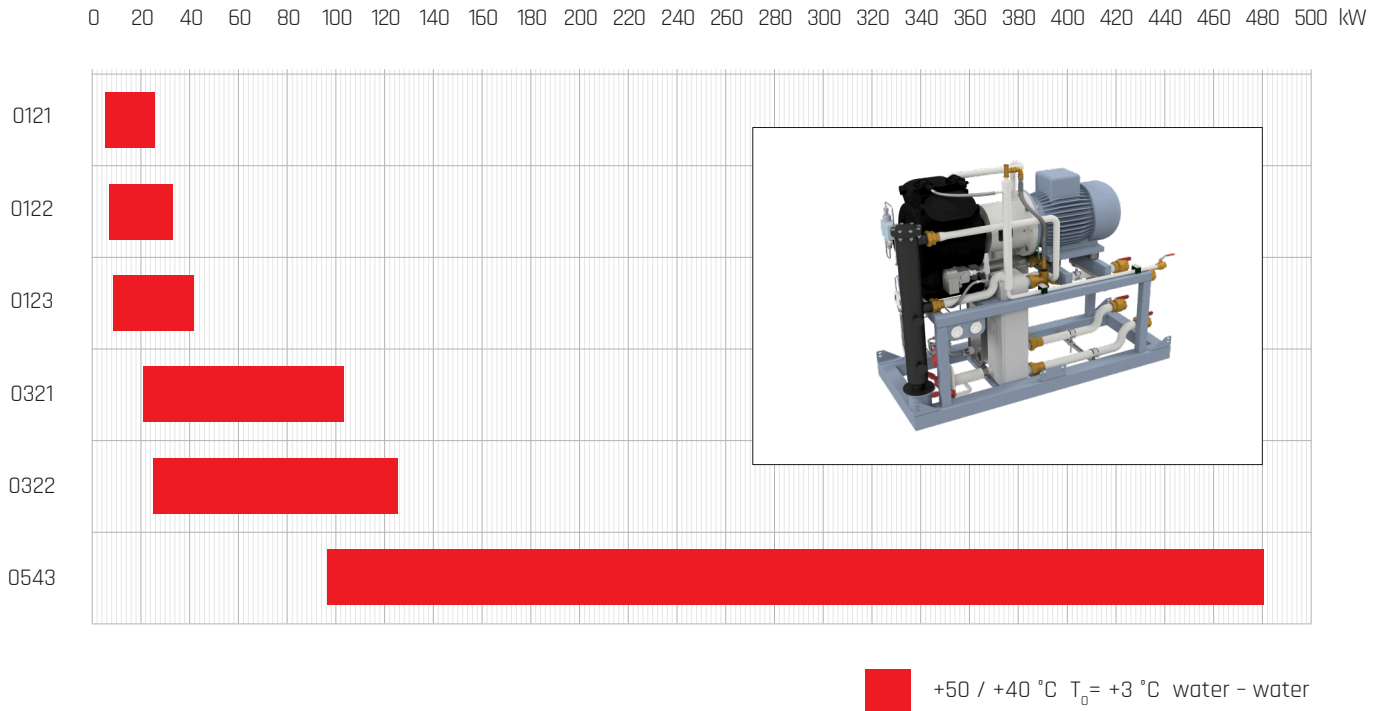


HEAT PUMPS

✓ comprehensive heat solutions (heating, hot water, cooling) for industry, company production facilities, commercial buildings, hotels or logistics centres

✓ significant reduction of operating costs, high return on investment

Performance Comparison for Twineco® R723 Heat Pumps



| Twineco® R723 Heat Pumps | | | | | |
|----------------------------|-----------------------|-----------------|----------|----------|-------------|
| Compressor | Number of compressors | Dimensions (mm) | | | Weight [kg] |
| | | Width A | Height B | Length C | |
| 0121 - 0123 0221 - 0223 | 1 | 520 | 1150 | 1110 | 280 |
| 0321 - 0322 0341 - 0343 | 1 | 570 | 1150 | 1285 | 420 |
| 0441 - 0443 0541 - 0543 | 1 | 620 | 1300 | 1560 | 620 |